

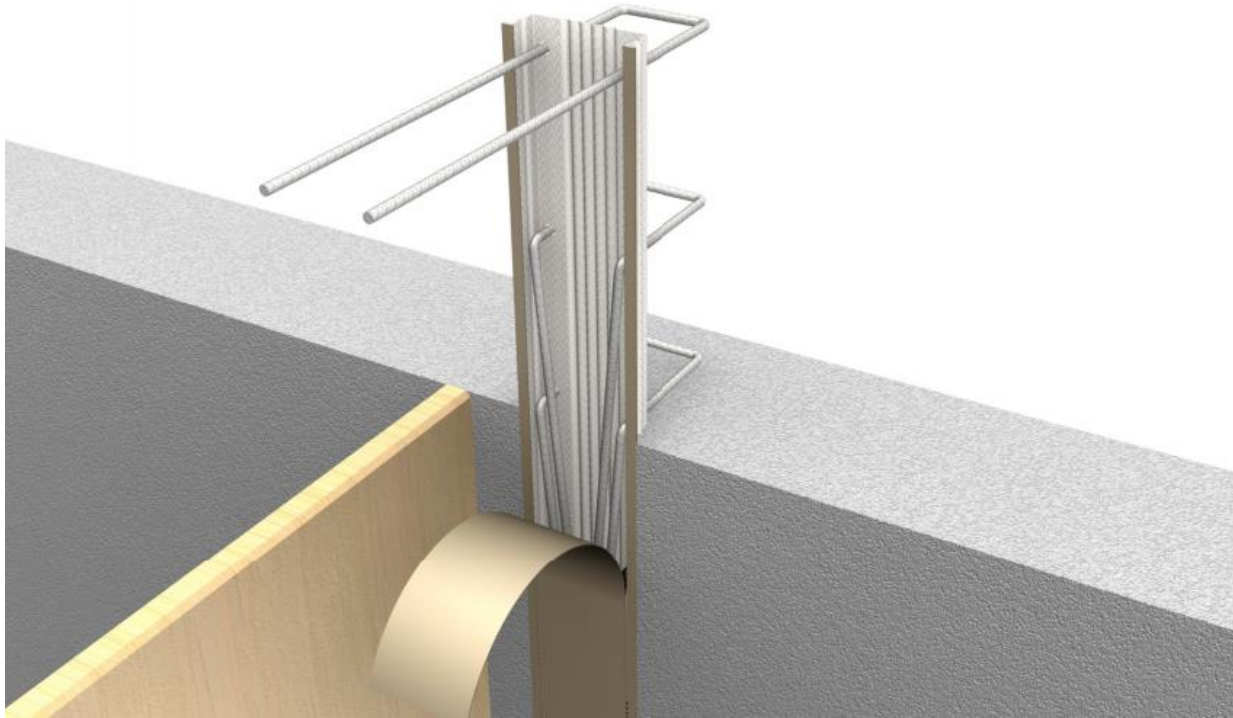
## COMMERCIAL DOCUMENTATION



## TERWA STARTER BOX | **TYPE WH**



## GENERAL INFORMATION



### PRODUCT DESCRIPTION

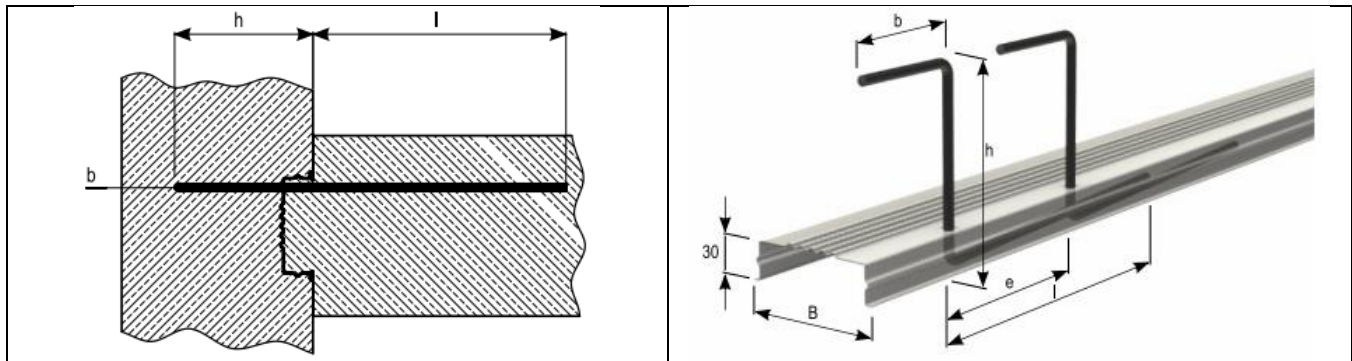
TERWA starter boxes are composed of the longitudinal steel profiles (rails) made by perforated, galvanized steel plate. Ribbed reinforcing bars are embedded in the profiles. Reinforcing bars from one side of the profile form anchoring loops, and from the other side- are bent to it and covered by the thick plastic tape. Concrete reinforcement bended starter boxes are used to perform vertical and horizontal connections of the elements of reinforced concrete constructions, concreted in stages and the precast elements with monolithic. Use of connecting set TERWA ensures fulfilment all requirements specified by standards for proper form of contact anastomosis. Standards for design concrete constructions assume that with the correct shape of the joint we can treat the construction element as homogeneous and permanently compound.

### USE

Reinforcement bended Starter Boxes allow execution of connection reinforced concrete structural elements, concreted in various stages of construction, i.e. in connection of the walls, floors to walls, staircase landings, balconies, consoles etc. It allows significantly reduce the duration of the investment and reducing the period of lease elements of formwork system.

### ADVANTAGES

- Simplified execution of constructing joins and additional concreting
- Easy and fast assembly - the component is attached to the formwork by nails
- Specially contoured shape of the perforated rail provides proper preparation of the contact surface on the connection of the two elements, implemented at different time
- Thanks to deliberately roughened joint with optimally shaped furrow (notch) entirely transfer shearing forces occurring in the connector
- It allows for continuity of reinforcement and required length of anchoring bars in elements of reinforcement concrete
- The shape of the rail guarantees the correct depth of concrete coverage of the reinforcing bars
- The rail is made from galvanized steel plate, what protects it by aggressive influence of environment at the storage stage and during realization
- The shape and construction of the rail provides stability during concreting and protect by permeation of the concrete inside the profile
- Thick plastic tape ensures durable protection of reinforcement bars at the time of installation the rail to the formwork. Perforation cut in the rail allows for its quick removal and commencement of reinforce works
- Possibility of matching to the different shapes of formwork (i.e. arch formworks)
- It can be adapted to different systems of reinforcement in elements of reinforced concrete-non-standard elements, on inquiry
- Reinforcement bended Starter Boxes have technical approval which can be asked for at TERWA Construction Group

**TERWA STARTER BOX – TYPE WH**


Symbol	Rail width B [mm]	Bar diameter $\phi$ [mm]	Bar spacing E [cm]	h [cm]	b [cm]	l [cm]	Measurement Unit	Packaging [pcs/palette]	Art. No.
<b>TSB – type WH</b>									
TSB type WH 60-8/10	60	8	10	15	8	32	mb	200pcs.=250m	64742
TSB type WH 60-8/15	60	8	15	15	8	32	mb	200	64743
TSB type WH 60-8/20	60	8	20	15	8	32	mb	200	64744
TSB type WH 60-8/25	60	8	25	15	8	32	mb	200	64745
TSB type WH 60-8/30	60	8	30	15	8	32	mb	200	64746
TSB type WH 60-10/15	60	10	15	15	8	39	mb	200	64747
TSB type WH 60-10/20	60	10	20	15	8	39	mb	200	64748
TSB type WH 60-10/25	60	10	25	15	8	39	mb	200	64749
TSB type WH 80-8/15	80	8	15	15	8	32	mb	150pcs.=187,5m	64750
TSB type WH 80-8/20	80	8	20	15	8	32	mb	150	64751
TSB type WH 80-8/25	80	8	25	15	8	32	mb	150	64752
TSB type WH 80-8/30	80	8	30	15	8	32	mb	150	64753
TSB type WH 80-10/15	80	10	15	15	8	39	mb	150	64754
TSB type WH 80-10/20	80	10	20	15	8	39	mb	150	64755
TSB type WH 80-10/25	80	10	25	15	8	39	mb	150	64756
TSB type WH 80-12/10	80	12	10	15	8	39	mb	150	64757
TSB type WH 80-12/15	80	12	15	15	8	46	mb	150	64758
TSB type WH 80-12/20	80	12	20	15	8	46	mb	150	64759
TSB type WH 80-12/25	80	12	25	15	8	46	mb	150	64760

## CONTACT



TERWA is the global supplier for precast and construction solutions with multiple offices around the world. With all our staff, partners and agents, we are happy to provide all construction and precast companies who work in the building industry with full service and 100% support.

## TERWA CONSTRUCTION GROUP

### Terwa Construction Netherlands (HQ)

**Global Sales & Distribution**  
Kamerlingh Onneslaan 1-3  
3401 MZ IJsselstein  
The Netherlands  
**T** +31-(0)30 699 13 29  
**F** +31-(0)30 220 10 77  
**E** [info@terwa.com](mailto:info@terwa.com)

### Terwa Construction Central East Europe

**Sales & Distribution**  
Strada Sânzieni  
507075 Ghimbav  
Romania  
**T** +40 372 611 576  
**E** [info@terwa.com](mailto:info@terwa.com)

### Terwa Construction Poland

**Sales & Distribution**  
Ul. Cicha 5 lok. 4  
00-353 Warszawa  
Poland  
**E** [info@terwa.com](mailto:info@terwa.com)

### Terwa Construction India & Middle East

**Sales & Distribution**  
India  
**T** +91 89 687 000 41  
**E** [info@terwa.com](mailto:info@terwa.com)

### Terwa Construction China

**Sales & distribution**  
5F 504, No. 101 Chuanchang road  
PRC, 200032, Shanghai  
China  
**E** [info@terwa.com](mailto:info@terwa.com)

**ALL SPECIFICATIONS CAN BE CHANGED WITHOUT PREVIOUS NOTICE.**

## DISCLAIMER

Terwa B.V. is not liable for deviations due to wear of the products it has delivered. Neither is Terwa B.V. liable for damage due to inaccurate and/or improper handling and use of the products it has delivered and/or use of same for purposes other than those intended.

Terwa B.V.'s responsibility is furthermore limited in accordance with article 13 of the "Metaalunie" conditions, which are applicable for all Terwa B.V. deliveries. The user is responsible for ensuring compliance with all applicable copyright laws. Without limiting the rights under copyright, no part of this documentation may be reproduced, stored in or introduced into a retrieval system, or transmitted in any form or by any means (electronic, mechanical, photocopying, recording, or otherwise), or for any purpose, without the express written permission of Terwa B.V.